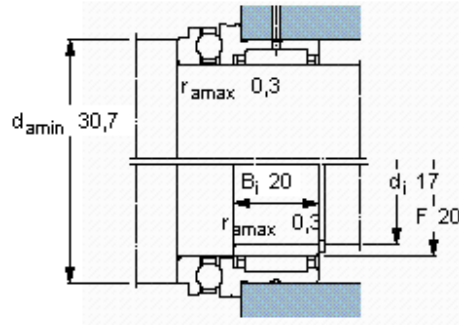
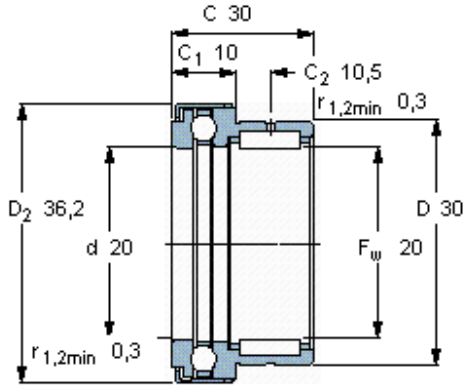


1\_18, needle roller/full complement thrust ball bearings

Principal dimensions			Basic load ratings				Speed ratings		Limiting speed	Designation
F <sub>w</sub>	D	C	radial dynamic C	static C <sub>0</sub>	axial dynamic C	static C <sub>0</sub>	Reference speed			
mm			kN				r/min		-	
<b>20</b>	30	30	16,5	25,5	14,3	27	7500	6000	<b>NKX 20 Z</b>	



**Appropriate inner ring**

IR 17x20x20